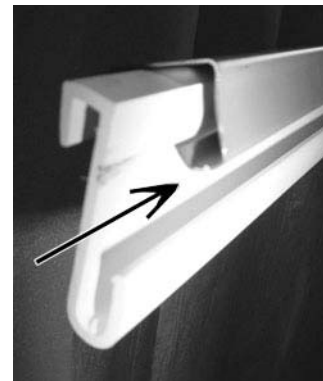


ABOVE GROUND POOL BEADED LINER INSTALLATION

STEP 1. INSERT THE LINER BEAD RECEIVER STRIPS INTO THE POOL METAL WALL TOP CHANNELS.

The metal channels add rigidity and support to the pool wall as you install the liner. A heavy liner may collapse the wall without these channel wall supports.

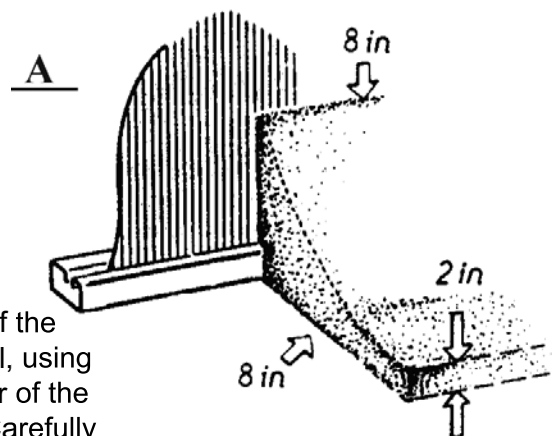


STEP 2. BUILD THE WALL COVE AROUND THE BASE OF THE POOL WALL.

See Illustration A. Use screened earth to build cove about 8" high and extend 8" packed firmly inside the pool wall. To form a triangle at the wall base. Spread mason sand to cover all of the pool base 1-2" deep to provide a solid base for the liner.

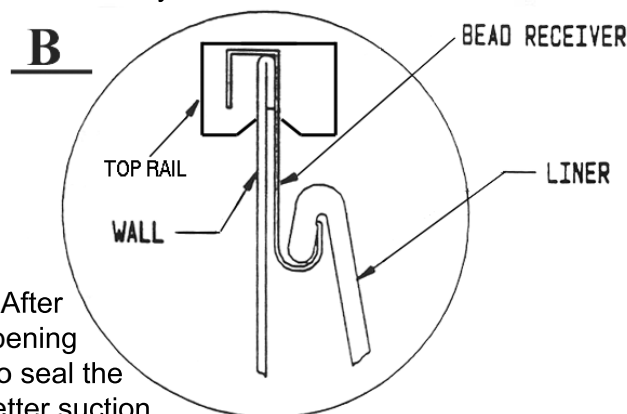
Moisten the sand with garden hose equipped with a spray nozzle. Use a roller or tamp to pack the sand firmly. It is also important to pack the sand cove tightly while troweling, to insure a solid cove to support the liner correctly.

IMPORTANT: The earth cove must be built right. Water pressure will force the liner out under the bottom rail if this is not done. Liner damage is not covered by warranty.



STEP 3. SPREAD VINYL LINER INTO ITS POSITION.

Before installing the liner, two gaskets must be attached to the wall. One of the skimmer gaskets and one of the return gaskets must be secured to the wall, using tape, around their respective wall cutouts. Lift the boxed liner to the center of the pool area. Take care not to drag it over the edge of the sharp metal wall. Carefully unfold the liner so that the print side is facing upwards. Remove your shoes to avoid damage and carefully spread liner with the bottom-curved perimeter seam **well up on the earth mound**, near the wall, centering the liner bottom evenly all around the pool. Make sure the liner lines up perfectly inside the pool before raising the liner sidewall and inserting the liner bead into the bead receiver. See figure B.



HINT: A shop vacuum cleaner may be used to help position the liner. After liner is centered in the pool, insert the vacuum hose into the return opening and drop halfway down between liner and side-wall. Use Duct tape to seal the bead receiver, the skimmer and return openings closed to create a better suction. The vacuum suction will pull liner against the wall. Be careful not to vacuum the sand cove.

STEP 4. FILL THE BOTTOM OF THE LINER WITH WATER

With the liner bottom smooth and the sides loosely in position, slowly begin to fill the pool to a depth of 1 1/2". Measure from top of wall to water surface at several points to be sure pool is level. Check the fit of the liner to the wall and smooth out the wrinkles before adding more water. A flat toilet plunger is a tool that will help to move the wrinkles toward the wall. The added weight now of 1/2" of water will make it impossible to pull the liner without damaging it.

Now replace all wall supports and top ledge covers. Continue to fill to a level just below the skimmer cutout. **DO NOT CUT THE LINER YET.**

STEP 5. INSTALLING THE SKIMMER AND WATER RETURN

Do not attach the skimmer gaskets and faceplate until the water level is just below the wall cutouts and the liner is stretched into its final position. This prevents the water pressure from pulling the liner down and out of the skimmer fittings. TWO gaskets are required for each fitting. The first gaskets were placed between the liner and the wall during step 3. Insert the second gasket on the skimmer and on the outside of the wall, and the remaining gasket on the return and the wall. Secure the screws and now cut the liner out of the skimmer and return openings. **FILL THE POOL AND ENJOY.** Please note that the skimmer, gaskets and other accessories are not included with this liner.