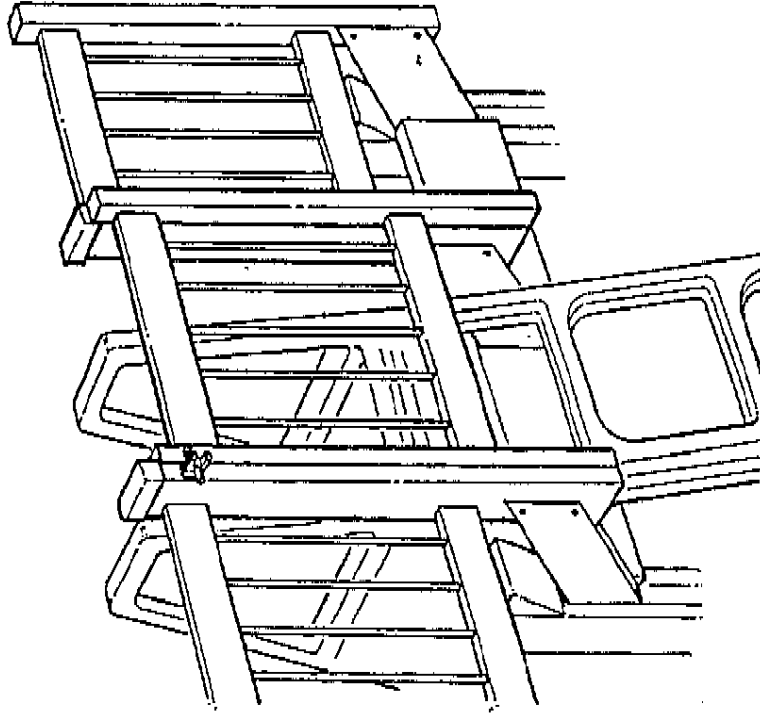


Talcor Gate Instructions



ADDITIONAL LAYERS OF PROTECTION CAN HELP REDUCE UNAUTHORIZED USE

Other options for your pool include: alarms that sound when doors and gates to your pool are opened; pool alarms activated by someone entering the pool area; alarms that detect unauthorized use of the pool itself

There is no substitute for parental supervision

Thank you for purchasing a Talcor Gate

TALCOR™
POOL Surround
PRODUCTS

Before starting please remember to work safely. Use appropriate safety equipment when working with power tools.

A wide range of building codes and regulations govern the installation and safe use of your swimming pool. It is important for you to check with local building code officials regarding the codes in your area. Other sources for practical information on swimming pool use are the National Spa and Pool Institute and the National Swimming Pool Foundation. NSPI and NSPF both offer several booklets on pool installation and use. Contact NSPI at 703-838-0083 and NSPF at 210-525-1227.

Tools required:

Cordless drill with #2 and #3 Phillips drivers; utility knife; handsaw or hacksaw; pencil; measuring tape; lockable pliers (vice grips); adhesive for the caps (i.e. Liquid Nails or Bulldog Grip PL200, readily available at most hardware stores)

Parts List:

- | | | | |
|---|------------------------|-----------------------------------|----------------------------|
| 4 - horizontal rails | 2 - 2"x4" gate posts | 2 - 1 1/2"x1 1/2" posts (2 holes) | |
| 3 - mounting brackets | 13 - pickets | 1 - 1 1/2"x 1 1/2" post (4 holes) | |
| 1 - 7/8"x 6"x 59" resin board with wooden inserts | | | |
| 1 - hardware bag containing: | | | |
| 46 - #8 x 5/8" painted screws | 4 - #12 x 1" screws | 1 - gate latch and finger | 3 - 1 1/2"x 1 1/2" caps |
| 2 - #12 x 3/4" screws (taped) | 4 - #8 x 1 3/4" screws | 2 - gate hinges | 2 - 2" x 4" gate post caps |

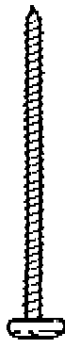
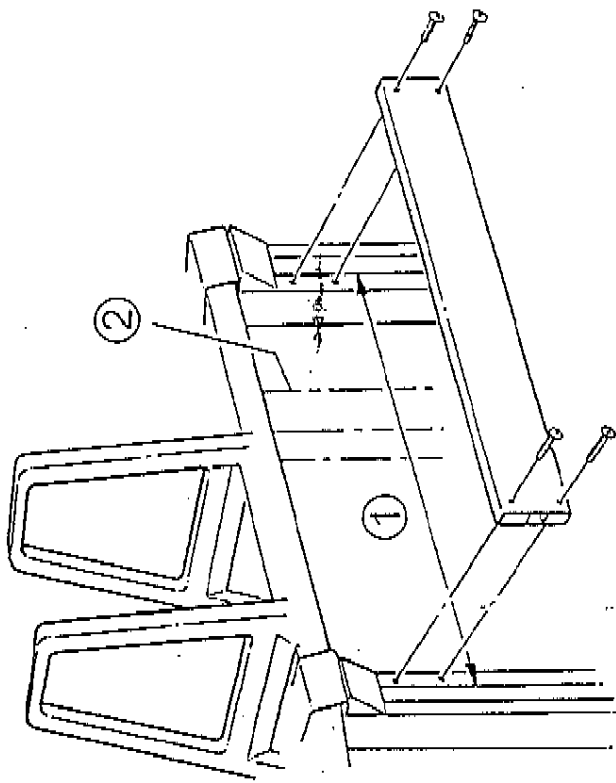
Before starting, please make every effort to work safely. This kit is a 'knock down' user assembled product. Take your time and piece everything together before you fasten it with the provided hardware.

The gate kit you have purchased is designed to fit many different applications. We do not know what pool or ladder you have or how the two are installed. So we have assembled this kit with enough parts to cover most applications. Please do not hesitate to contact us should you have any questions or concerns.

Before Starting:

For the sake of our instructions we have assumed your ladder is moved all the way to the left side of the open section of the pool. Be sure to slide the ladder all the way to the left or right side of the gate section.

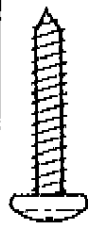
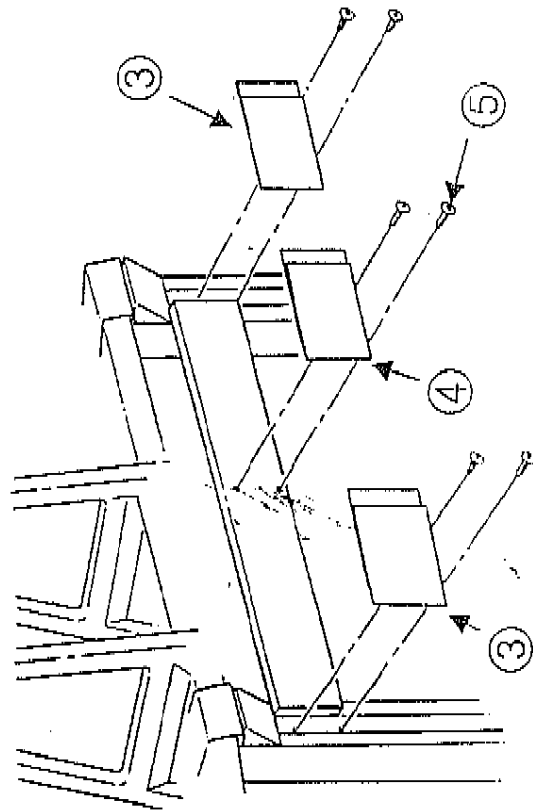
Step 1 - Installing the Resin or 4"x4" Board



#8 x 1 3/4" screw (actual size)

Install the 7/8" x 6" x 60" resin board using four #8 x 1 3/4" screws. Measure from one pool upright to the next ① and cut the resin board. Each resin board has two wooden inserts. The inserts are to be cut at the same time and are to remain the same length as the resin board. Before mounting the resin board on the pool uprights, you may want to pre-drill the holes in the board. The resin board creates a mounting surface for a fence bracket. Note: In some cases the resin board may have to be substituted with a 4"x4" wooden post (not included) next to the ladder ②.

Step 2 - Installing the Mounting Brackets



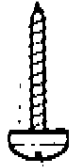
#12x 1" screw (actual size)



#12x 3/4" screw (actual size)

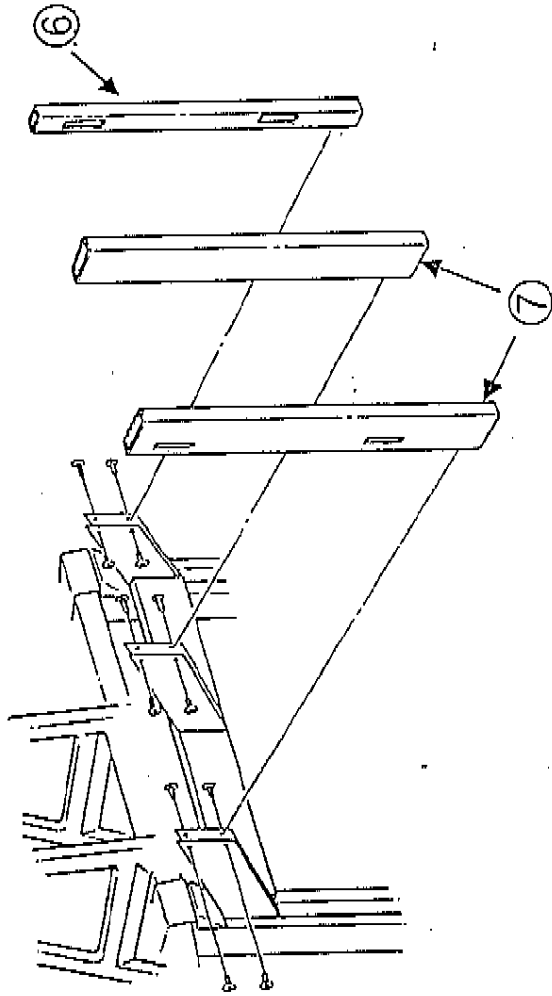
Using a #3 Phillips Driver, install one mounting bracket on each pool upright on either side of the ladder using two #12 x 1" screws per bracket ③. Install the third fence mounting bracket next to the ladder and keep it at a uniform height with the other brackets ④. Fasten bracket to the resin board with two #12 x 3/4" screws ⑤ (taped together for easy identification) making sure the screws go into the wooden inserts.

Step 3 - Installing Posts



8 x 5/8" screw (actual size)

Now install the line post to match up with the existing fence © using four #8 x 5/8" screws. Next, the two 2" x 4" gateposts can be fastened to the mounting brackets on either side of the ladder ©. You may have to move the ladder closer to the pool wall to fit the gate. Keep in mind, the outer edge of the gateposts should be out far enough to allow the gate to clear the ladder and yet not so far as to allow an opening more than 4" from the pool top rail/top seat. Align the gate posts in the brackets the same way as existing fence posts. Note that the holes should be closest to the pool and facing outward. Lastly, attach each gatepost using four #8 x 5/8" screws.

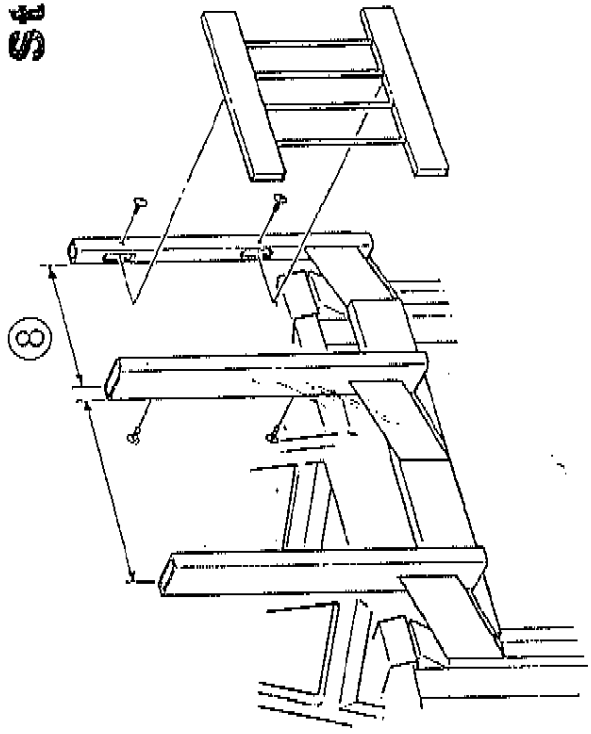


Step 4 - Installing a Fence Section

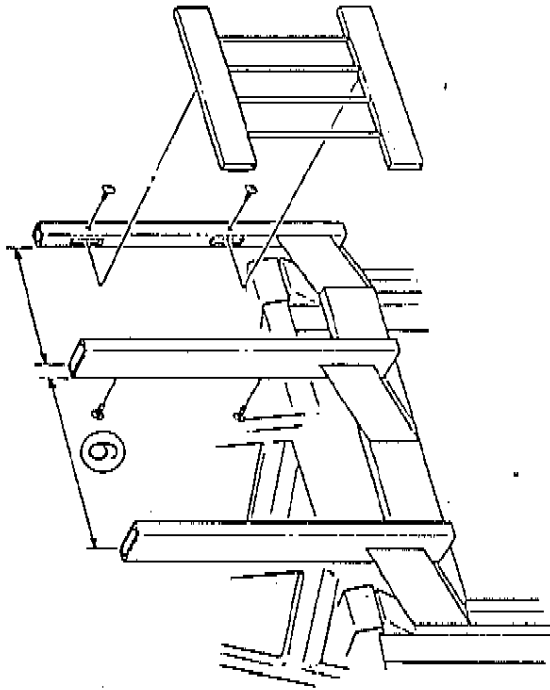


8 x 5/8" screw (actual size)

With the gate posts in place, install the small section of fence on the open side of the gate installation. Measure the distance between the gate post and line post and add 1" ©. Using this measurement, cut the horizontal rails to length. Next, insert the pickets and put the fence section into the fence posts. Use one #8 x 5/8" screw to secure each rail to their respective posts. Note: when securing the rails with the gate post, you will have to do so from inside the pool.



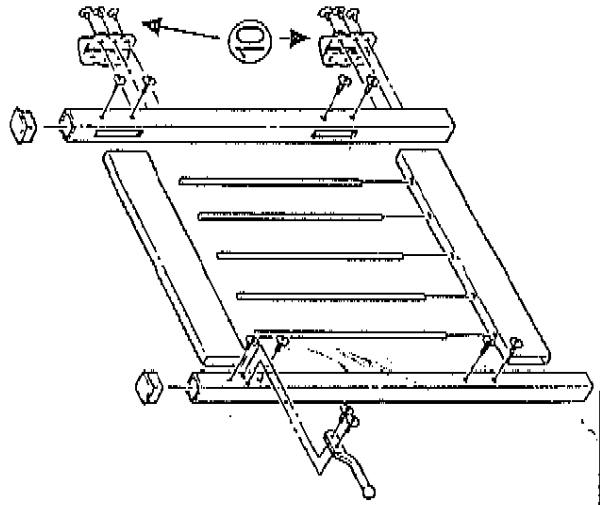
Step 5 - Building Your Gate Door



8 x 5/8" screw (actual size)

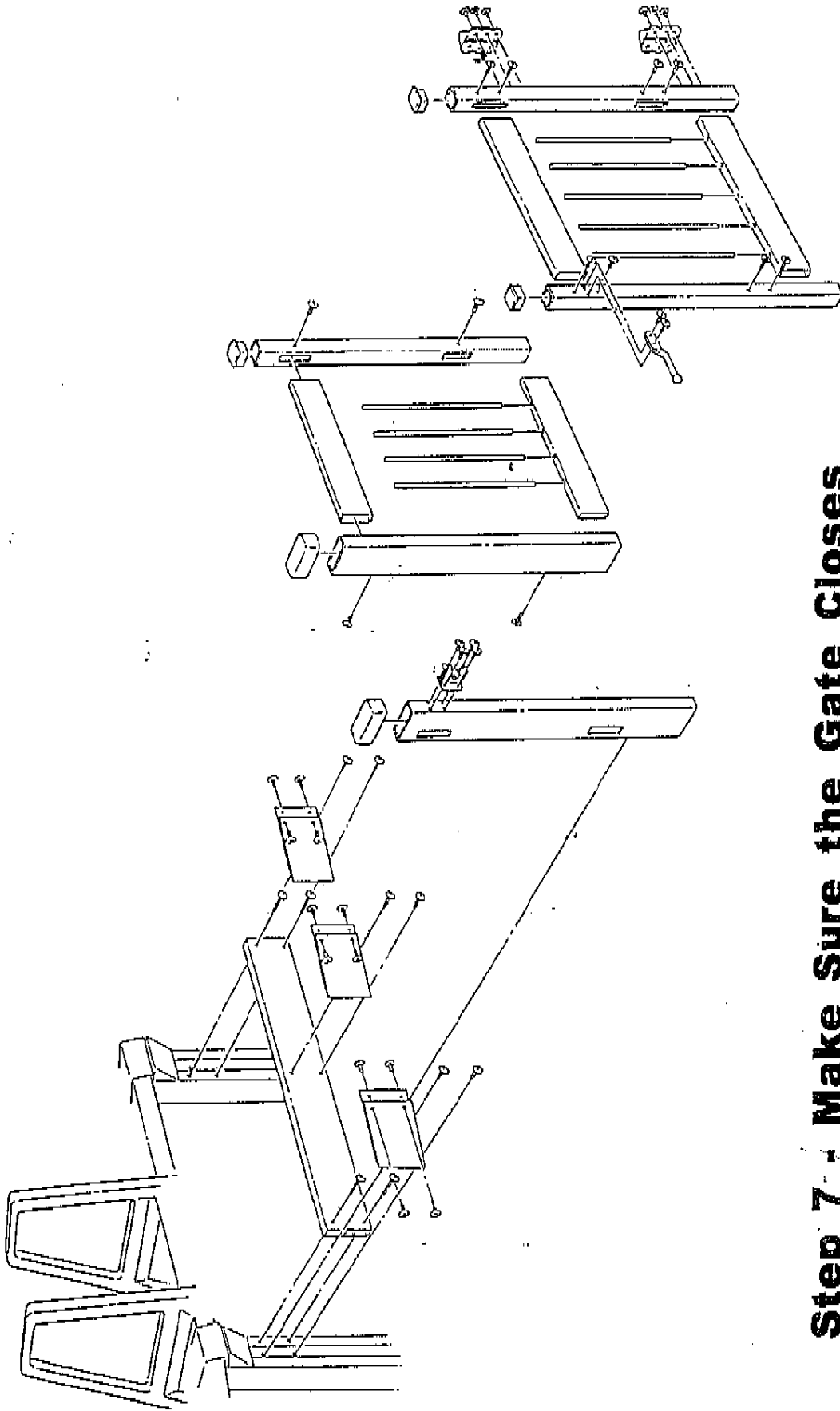
Next, build the gate section. It is important to make it as square and as tight as possible. Measure the inside distance between the two installed gateposts and add one half inch (1/2") \odot . This is the outside measurement of the gate. Take the two 1 1/2" x 1 1/2" posts with the holes on one side only to build a gate as wide as the measurement just determined for the gate width. Cut the horizontal rails to the correct length, making sure picket holes line up and add the appropriate number of pickets and assemble the gate. KEY - each corner gets two #8 x 5/8" screws through the 1 1/2" x 1 1/2" posts into the horizontal rails. Remember to make the gate as square and as tight as possible. (See Step 6 for Diagram)

Step 6 - Attaching the Gate Hinges and Latch



8 x 5/8" screw (actual size)

Attach the gate hinges to the gate door using three #8 x 5/8" screws per hinge \odot . Then, mount the hinges to the gate post. Attach the latch and finger and glue on the caps. The gate latch must be installed at least 54" above the ground to meet most codes.



Step 7 - Make Sure the Gate Closes

Lastly, check the installation over to make sure the gate closes each and every time. The gate needs to close successfully from a few inches open to all the way open.